

ITEM NO.	PART NUMBER	DESCRIPTION	Default/ QTY.
1	NP10-1	112.75" Outside Angle	4
2	NP10-2	80.5" Inside Angle	4
3	NP10-5	Corner Bracket	16
4	NP10-4	78" Diag Angle	4
5	NP10-TWR	Tower Section (Optional)	3
6	NP10-3	82" Brace	4
7	NP10-13	Base Plate	1
8	3043T78	3/8" x 1.5" U Bolt	6
9	92323A556	3/8-16 x 1.25" Hex Head Flg Bolt	36
10	94831A031	3/8-16 Hex Flange Nut	36
11	92323A582	1/2-13 x 3" Hex Flange Bolt	4
12	94831A661	1/2-13 Hex Flange Nut	12
13	92323A524	1/4-20 x 1.75" Hex Flange Bolt	9
14	92323A542	5/16-18 x 1.75" Hex Flange Bolt	9
15	94831A029	1/4-20 Hex Flange Nut	9
16	94831A030	5/16-18 Hex Flange Nut	9
17	NP10-12	U Bolt Bracket, B	2
18	NP10-11	U Bolt Bracket, A	2

See pages 2 - 5 for installation instructions

PROPRIETARY AND CONFIDENTIAL
 THE INFORMATION CONTAINED IN THIS DRAWING IS THE SOLE PROPERTY OF YODER INDUSTRIES, LLC. ANY REPRODUCTION IN PART OR AS A WHOLE WITHOUT THE WRITTEN PERMISSION OF YODER INDUSTRIES, LLC IS PROHIBITED.

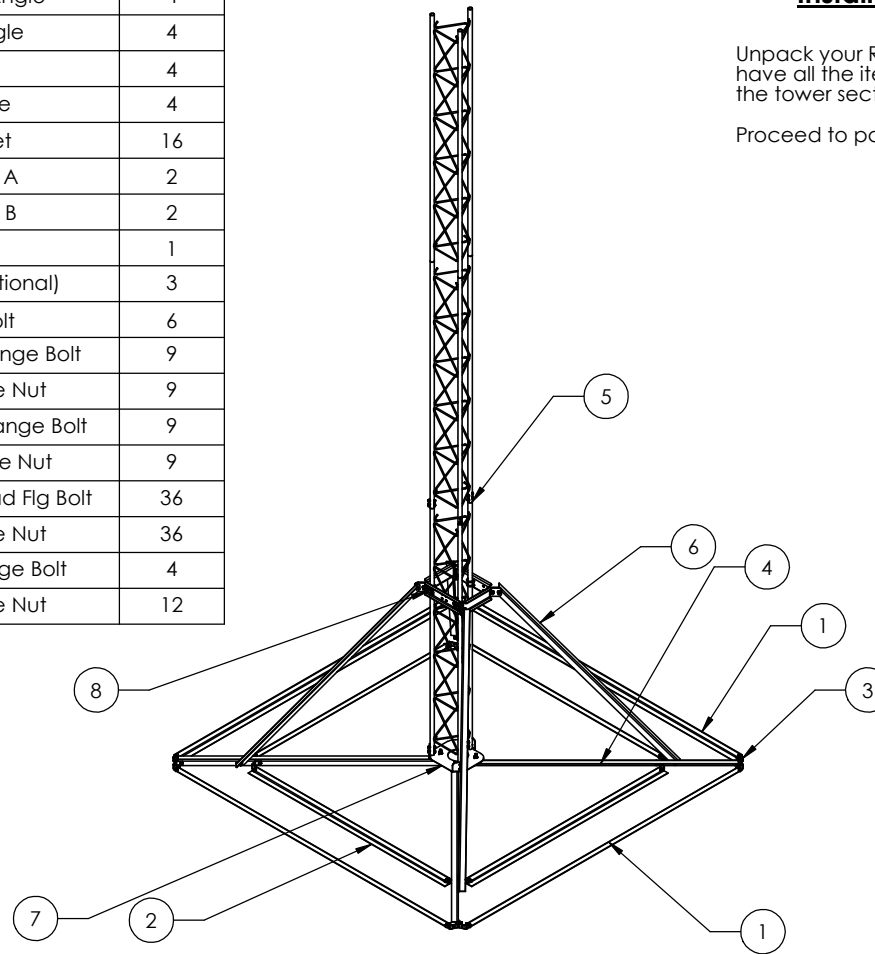
		UNLESS OTHERWISE SPECIFIED:		NAME	DATE		
		DIMENSIONS ARE IN INCHES		DRAWN	MY	8/5/2014	
		TOLERANCES:		CHECKED			TITLE:
		FRACTIONAL: ±		ENG APPR.			10' NP Mount
		ANGULAR: MACH ± BEND ±		MFG APPR.			SIZE
		TWO PLACE DECIMAL ±		Q.A.			DWG. NO.
		THREE PLACE DECIMAL ±		COMMENTS:			REV
		INTERPRET GEOMETRIC TOLERANCING PER:					- NP10-Assy
		MATERIAL					SCALE: 1:24
		FINISH					WEIGHT:
NEXT ASSY	USED ON						SHEET 1 OF 5
APPLICATION		DO NOT SCALE DRAWING					

ITEM NO.	PART NUMBER	DESCRIPTION	Default/ QTY.
1	NP10-1	112.75" Outside Angle	4
2	NP10-2	80.5" Inside Angle	4
3	NP10-3	82" Brace	4
4	NP10-4	78" Diag Angle	4
5	NP10-5	Corner Bracket	16
6	NP10-11	U Bolt Bracket, A	2
7	NP10-12	U Bolt Bracket, B	2
8	NP10-13	Base Plate	1
9	NP10-TWR	Tower Section (Optional)	3
10	3043T78	3/8" x 1.5" U Bolt	6
11	92323A524	1/4-20 x 1.75" Hex Flange Bolt	9
12	94831A029	1/4-20 Hex Flange Nut	9
13	92323A542	5/16-18 x 1.75" Hex Flange Bolt	9
14	94831A030	5/16-18 Hex Flange Nut	9
15	92323A556	3/8-16 x 1.25" Hex Head Flg Bolt	36
16	94831A031	3/8-16 Hex Flange Nut	36
17	92323A582	1/2-13 x 3" Hex Flange Bolt	4
18	94831A661	1/2-13 Hex Flange Nut	12

Installation Instructions

Unpack your RF Armor NP10 Mount Kit and make sure you have all the items listed in the table to the left. Keep in mind the lower sections are optional and may not ship with the kit.

Proceed to page 2.



RF Armor

Page 1 of 4

10' NP Mount
Assembly Instructions

8 7 6 5 4 3 2 1

D

C

B

A

D

C

B

A

Installation Instructions- Cont.

Lay out angles on the ground as illustrated below starting with the outside angle. Be sure to have the hole on the side and not on the bottom.

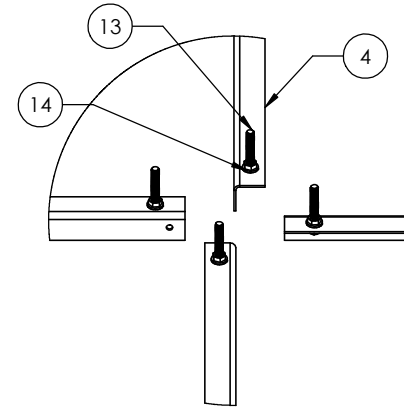
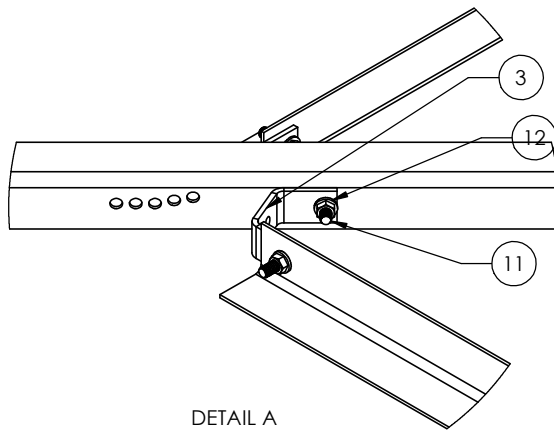
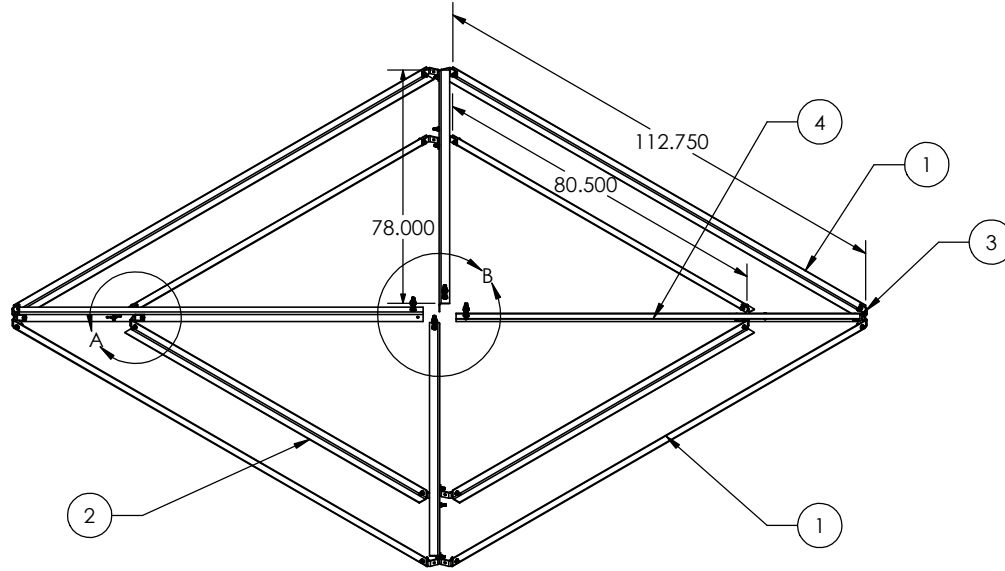
Lay out inside angle in the approximate location as shown.

Lay out diagonal angles as shown making sure row of holes shown in detail "A" to be oriented as shown, toward the outside of the base. Also, holes need to be oriented to the side, not to the top.

Install corner brackets as shown in detail "A" using supplied Flange bolts and nuts. Do NOT tighten bolts until entire frame is loosely bolted together to allow for movement and flexibility during the assembly.

Once frame is loosely assembled, install 1/2" x 3" bolt and nut at the end of diagonal angles shown in detail "B" and tighten.

Proceed to page 3

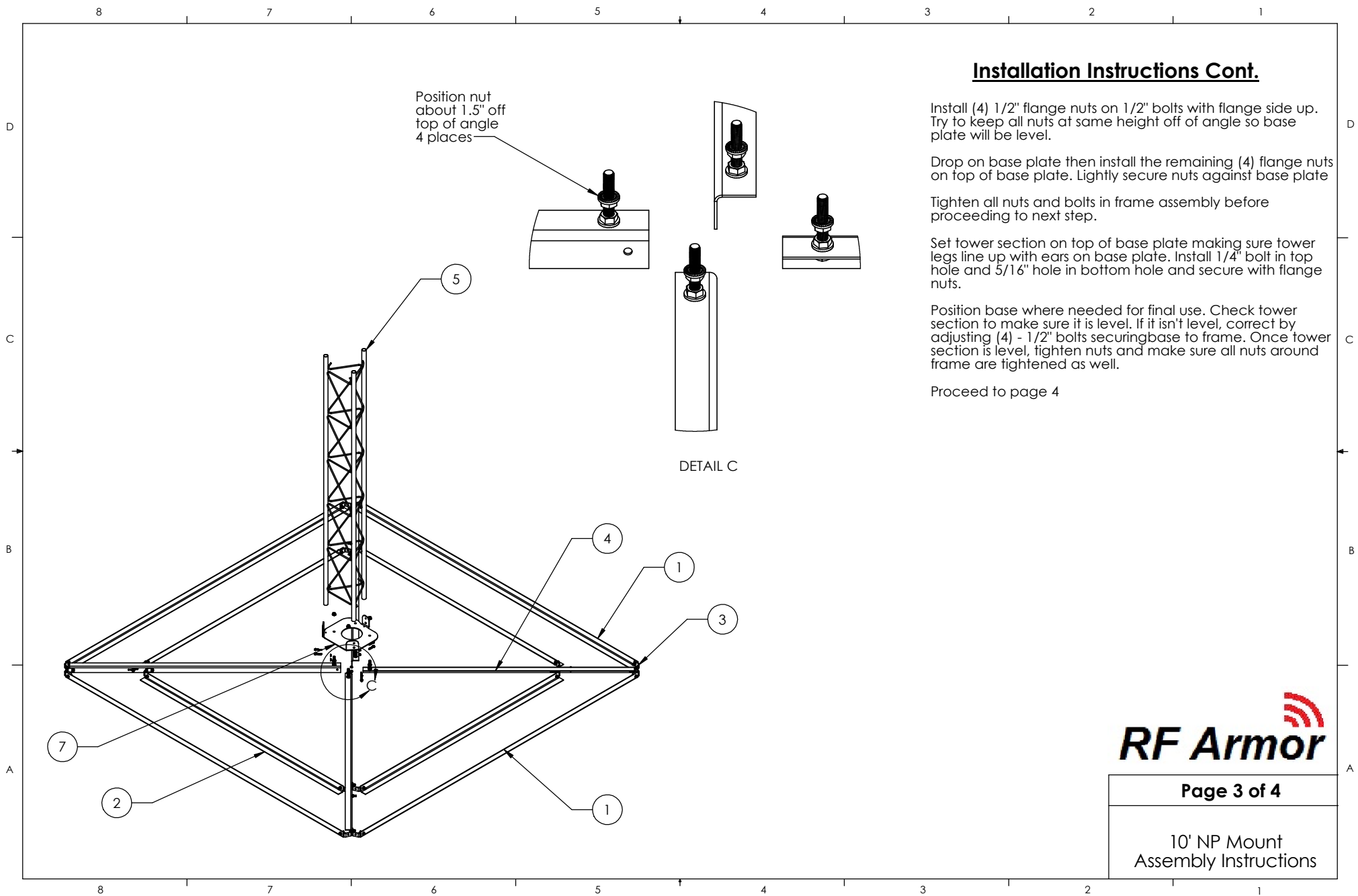


DETAIL A

DETAIL B



8 7 6 5 4 3 2 1



Installation Instructions Cont.

Install (4) 1/2" flange nuts on 1/2" bolts with flange side up. Try to keep all nuts at same height off of angle so base plate will be level.

Drop on base plate then install the remaining (4) flange nuts on top of base plate. Lightly secure nuts against base plate

Tighten all nuts and bolts in frame assembly before proceeding to next step.

Set tower section on top of base plate making sure tower legs line up with ears on base plate. Install 1/4" bolt in top hole and 5/16" hole in bottom hole and secure with flange nuts.

Position base where needed for final use. Check tower section to make sure it is level. If it isn't level, correct by adjusting (4) - 1/2" bolts securing base to frame. Once tower section is level, tighten nuts and make sure all nuts around frame are tightened as well.

Proceed to page 4



8 7 6 5 4 3 2 1

D

C

B

A

D

C

B

A

Installation Instructions Cont.

After tower section is leveled, install tower support collar using 3/8" bolt and nut in inner hole only. Hand tight nuts only to allow for adjustment. See detail "D" for correct orientation.

Position collar about 57" or 1400mm off of base plate. Then using 3/8" U Bolts, secure collar to tower section. Only hand tighten the u bolts to allow for adjustment when installing angle supports.

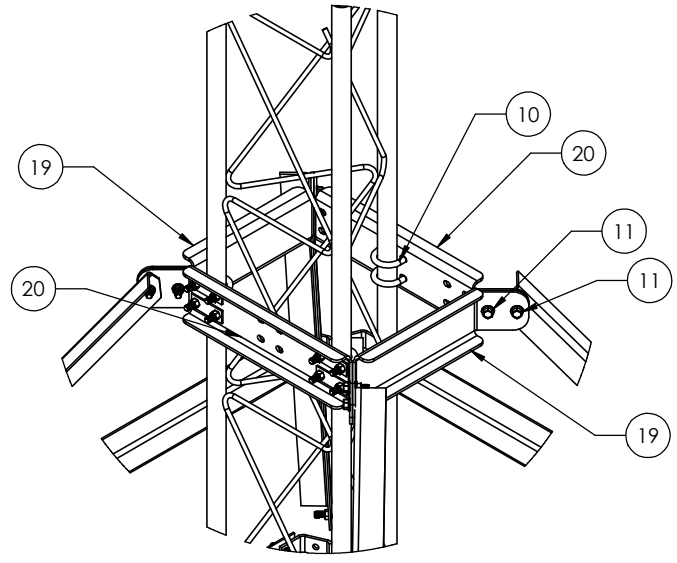
Install support angle (Item 6) on collar using 3/8" bolt and nut in outside of 2 holes as illustrated in detail "D".

Secure bottom of support angle to base in one of 5 holes. Use 3/8" bolt and nuts. You will only use one hole, but multiple locations are given to allow for up to a 2° tilt on tower section.

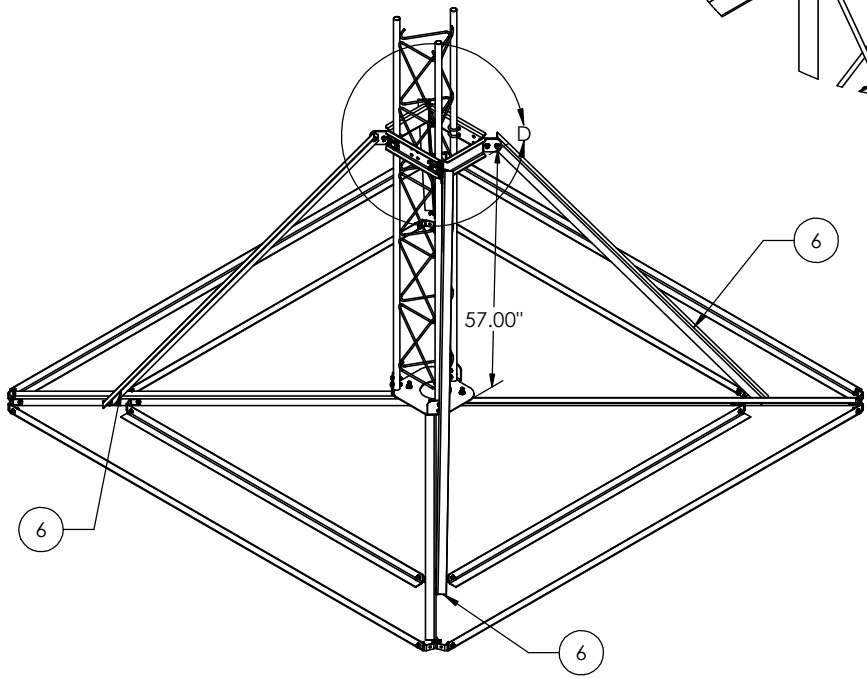
Tighten all bolts, u bolts and make sure all components are secure. Base assembly is complete. There should be no rocking or any loose items.

Place 40pc 8" x 16" cinder blocks in tray.

Install additional tower sections as needed. Up to 3 sections can be added including the base section for a total of 30ft max height.



DETAIL D



8 7 6 5 4 3 2 1